

## REMAX ENERGY

### 3 Piece Ball Valve Model: RBV3 series

#### Description

RBV3 series is a manual type sanitary 3-piece ball valve with tri-clamp / tri-clamp ends and Encapsulated PTFE seat, which is extensively used in food & beverage processing, brewing, oil refinery, cosmetic, pharmaceutical, and chemical industries to control medium flow. The Encapsulated PTFE seat design with no residue makes it an optimum choice for sanitary needs, RBV3 ball valve operates manually.



#### Features

- Max. working pressure: 145psi (10bar)
- Temperature range: -4 ~ 302°F (-20 ~ 150°C), -22 ~ 392°F (-30 ~ 200°C) option.
- End connections: tri-clamp / tri-clamp, others available upon request.
- Surface treatment: Ra 16 ~ 32µin (0.4 ~ 0.8µm), Ra 0.6µm is the default.

#### Options

- End connection can be butt-welded, sanitary tri-clamp, threaded, or others upon request.
- The valve body can be three-way: T type or L type ball core for choose from
- Actuators to reach automatic operation: pneumatic stainless steel actuator (vertical type), pneumatic aluminum actuator (horizontal type), and electric actuator

**Electrical actuator  
RBV3/E**



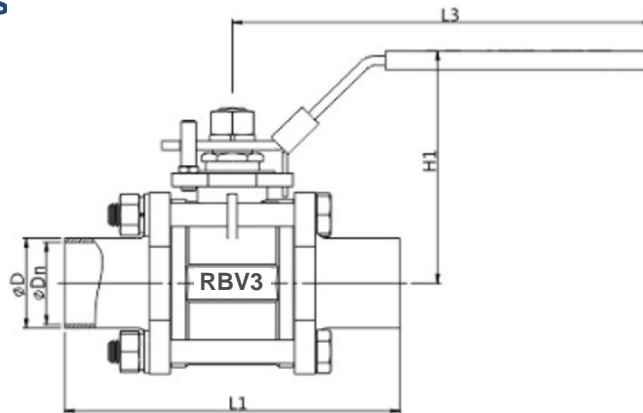
**horizontal pneumatic  
actuator  
RBV3/P**



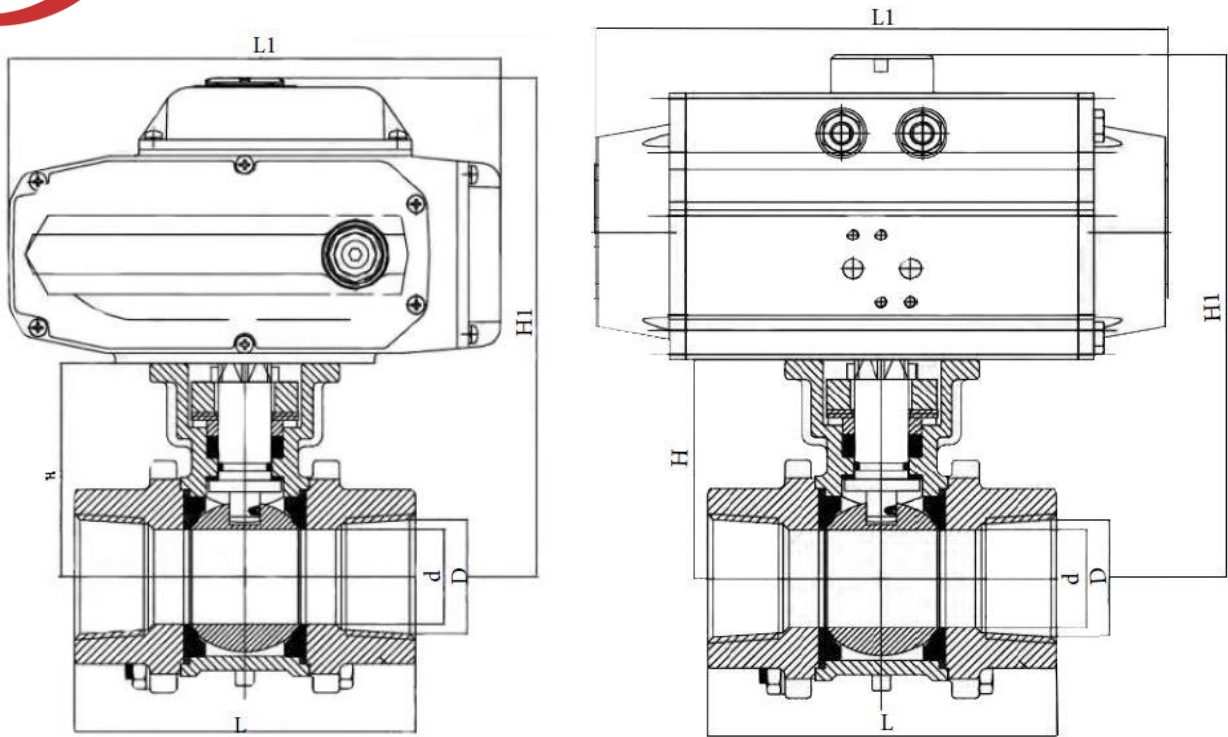
**Stainless steel  
Vertical  
RBV3/PA**



**RBV3 Dimensions**



Size	D	Dn	L1	L3	H1
1/2"	12.7	9.4	85	130	55
3/4"	19.1	15.8	90	130	60.5
1"	25.4	22.1	102	130	64.5
1 1/2"	38.1	34.8	125	170	87
2"	50.8	47.5	138	173	98
2 1/2"	63.5	60.2	156	176	107
3"	76.2	72.9	170	223	130
4"	101.6	97.4	242	335	169



### RBV3/P Dimensions

Size	D	d	L	L1	H	H1
1/2"	15	12.7	89	130	44.5	133
3/4"	20	19.8	101	130	46	151
1"	25	22.1	114.3	130	56.4	161.4
1 1/4"	32	29	120	140	70.3	176.3
1 1/2"	38	35	139.7	170	79	195.5
2"	50	48	158.4	173	86.7	216.5
2 1/2"	64	59.5	171.5	176	114	263.5
3"	72	71	197	223	121	292.5
4"	98	97.4	241	335	140	334

### RBV3/E Dimensions

Size	D	d	L	L1	H	H1
1/2"	15	12.7	89	130	44.5	133
3/4"	20	19.8	101	130	46	151
1"	25	22.1	114.3	130	56.4	161.4
1 1/4"	32	29	120	140	70.3	176.3
1 1/2"	38	35	139.7	170	79	195.5
2"	50	48	158.4	173	86.7	216.5
2 1/2"	64	59.5	171.5	176	114	263.5
3"	72	71	197	223	121	292.5
4"	98	97.4	241	335	140	334

Material table	
<b>Body</b>	AISI 304 / 316 / 316L
<b>Seal</b>	PTFE
<b>ball</b>	AISI 316 / 316L
<b>seat</b>	TFM 1600
<b>Bolts</b>	AISI 304
<b>Handle</b>	AISI 304
<b>Spring washers</b>	AISI 304
<b>O-ring</b>	Viton

## Features

Maintenance-free operation

Compact and portable

Small operating torque

Valve seals and gaskets comply with FDA 177.2600

Manual handle, pneumatic actuator, electric actuator are interchangeable.

Spare parts are available on request

Other connections , size and material is available on request



A version



B version